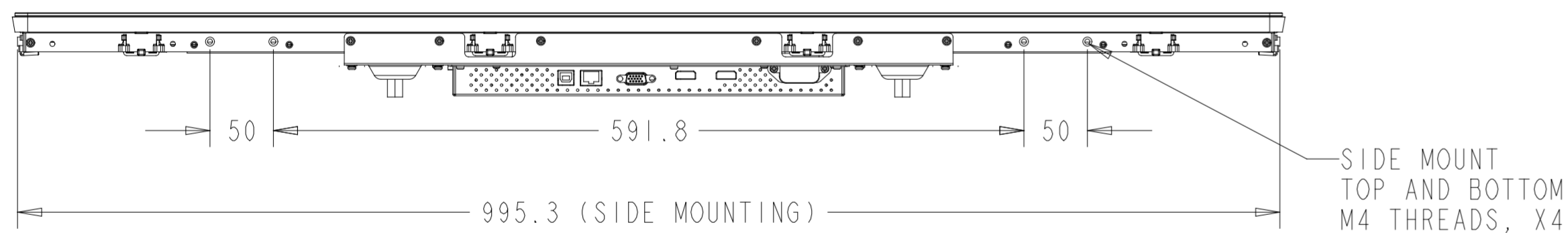
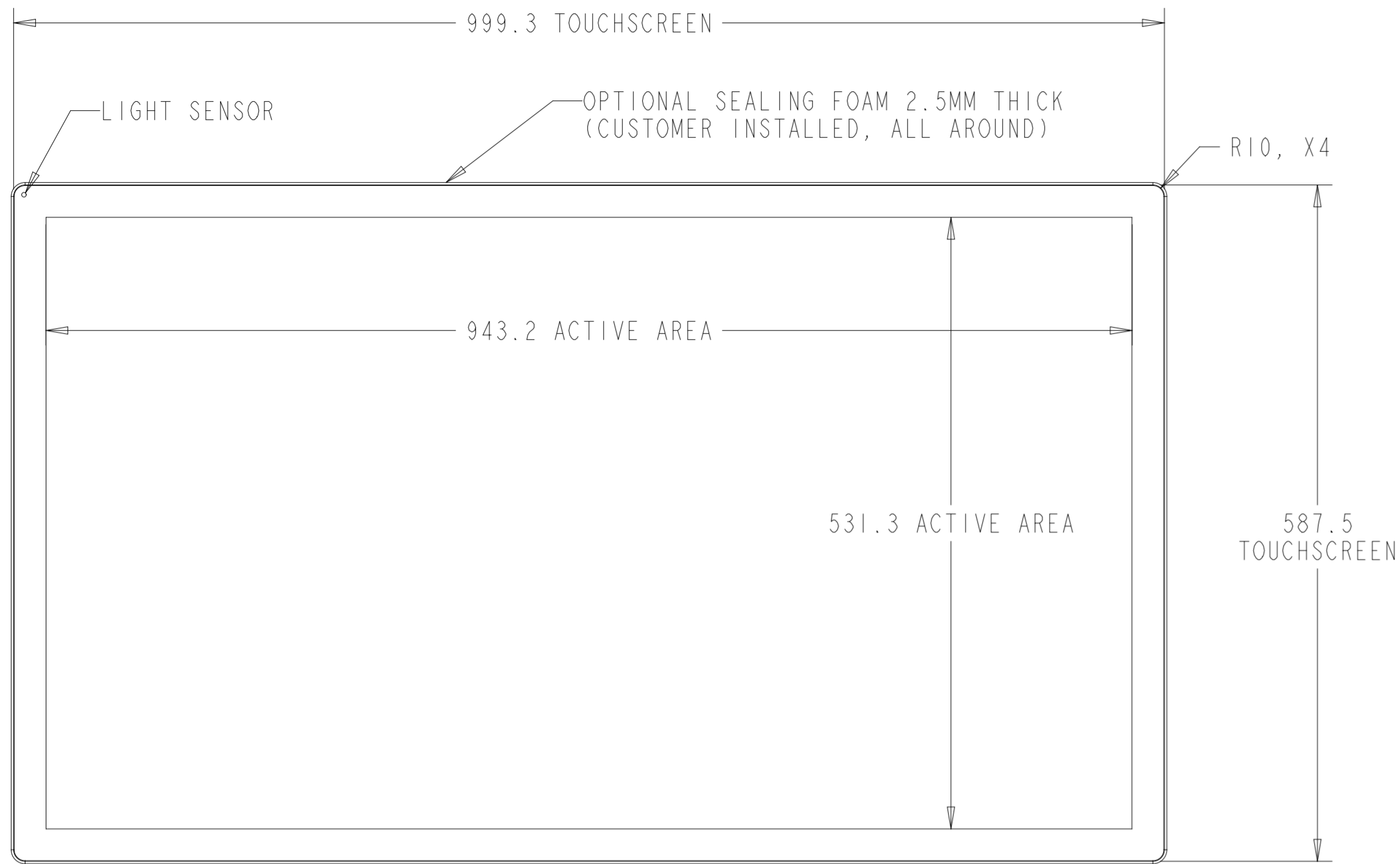
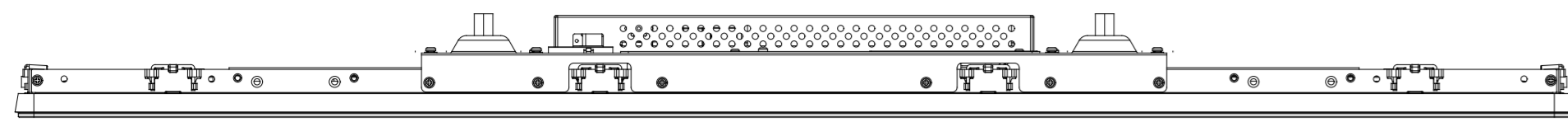
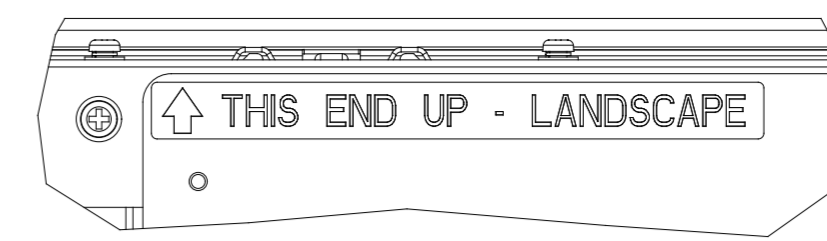
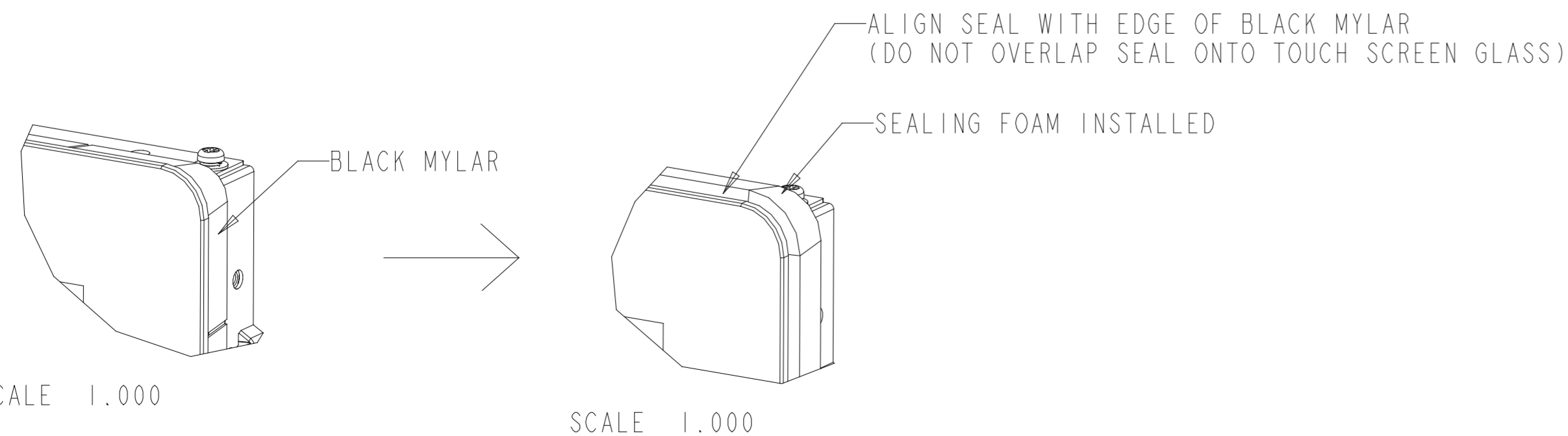


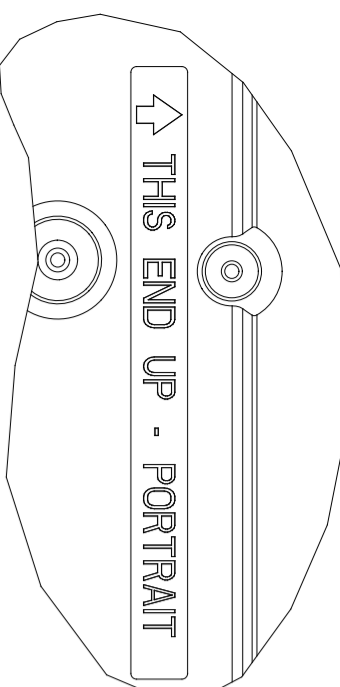
DIMENSIONAL DRAWING: 4363L



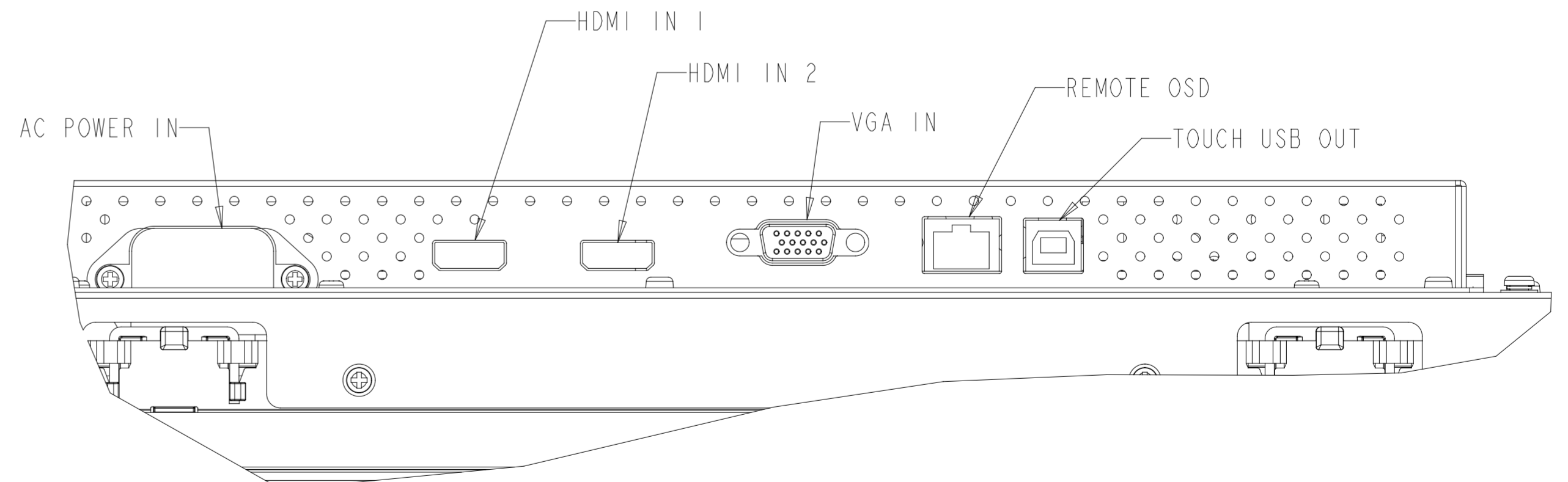
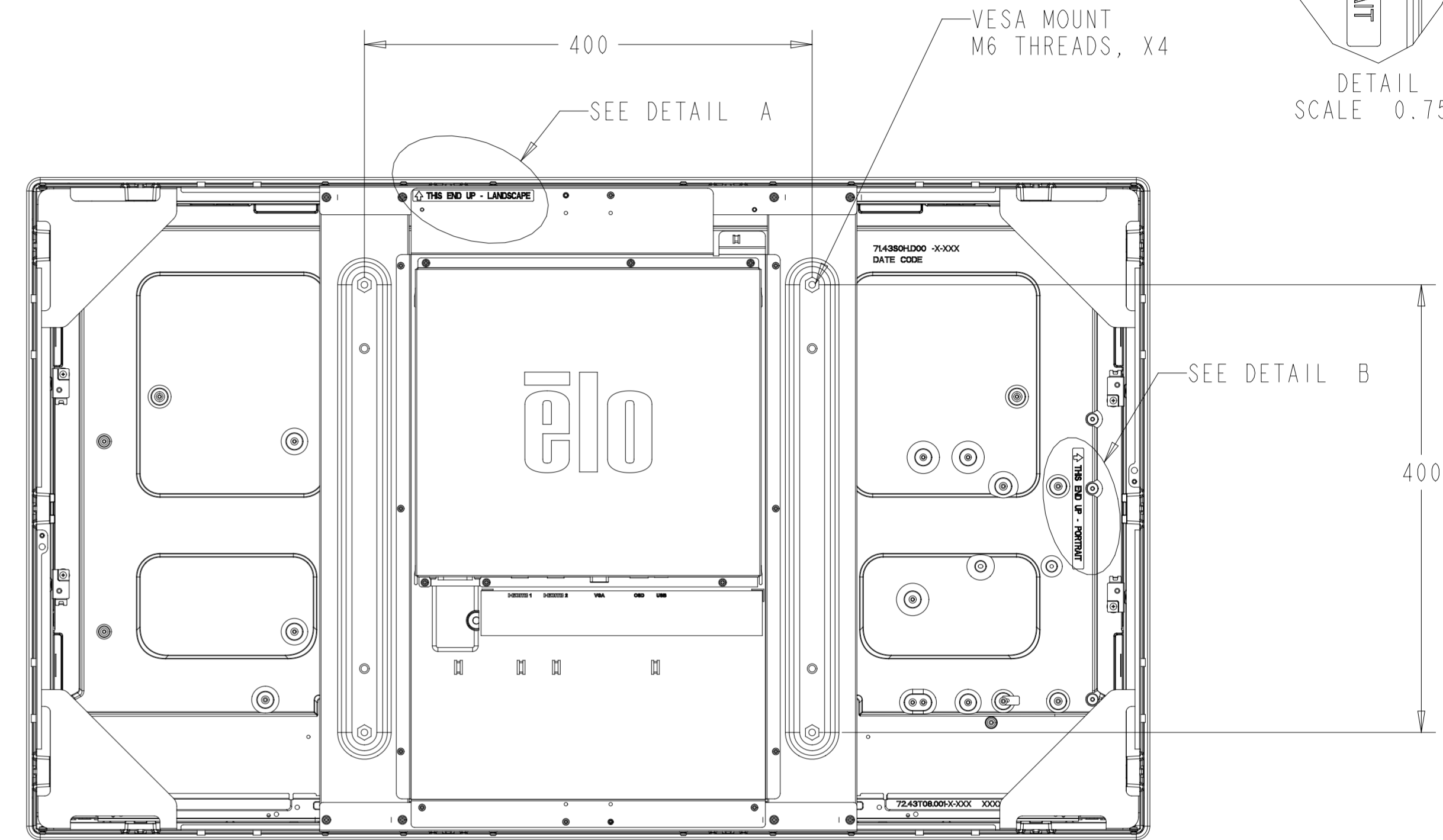
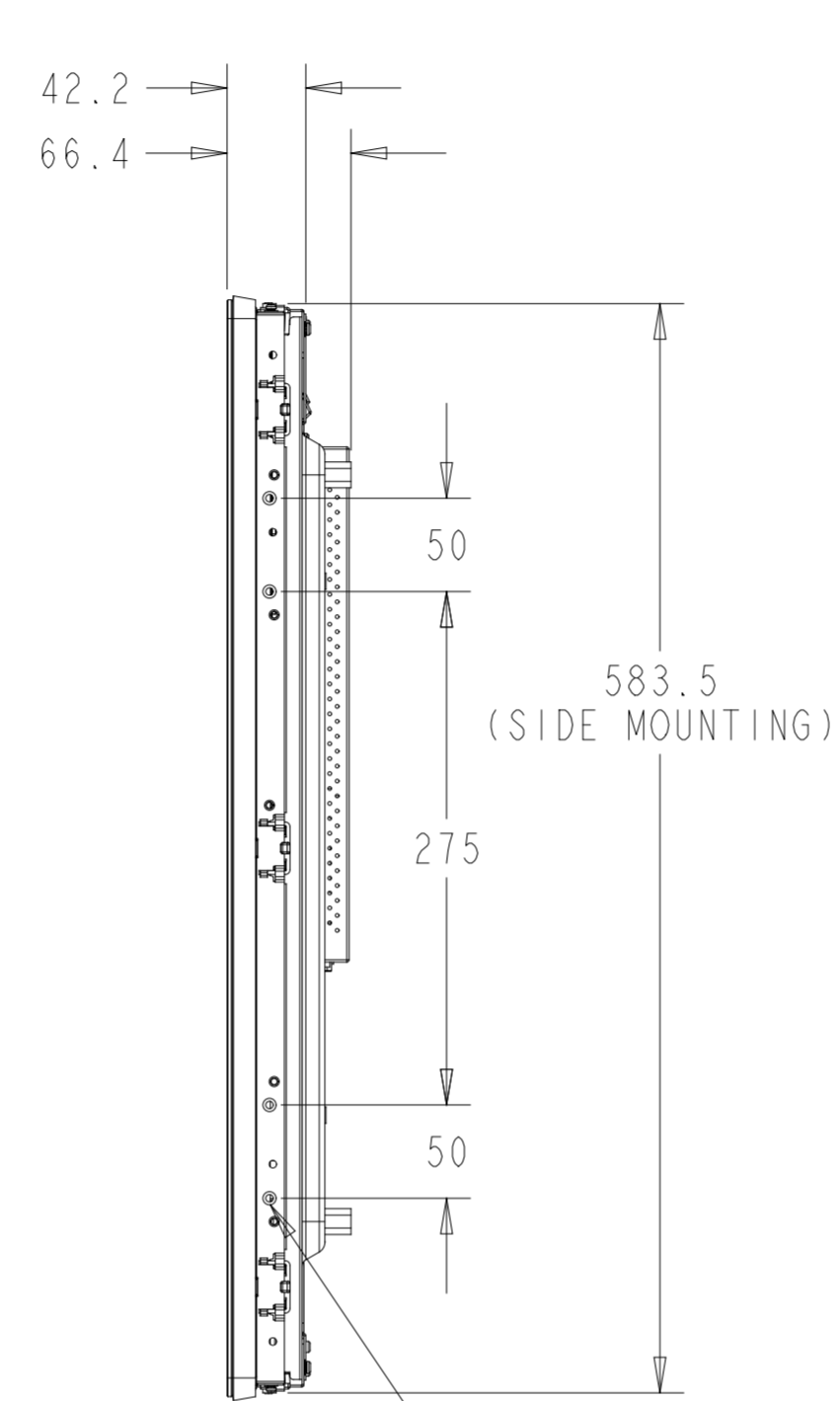
- SEALING FOAM INSTALLATION (OPTIONAL FOR VESA OR SIDE MOUNTING):
1. PEEL BACK 2-3" OF RELEASE LINER FROM FOAM SEAL
 2. ALIGN EXPOSED END OF FOAM SEAL WITH BLACK MYLAR ON TOUCH DISPLAY
 3. GENTLY PEEL BACK ADDITIONAL RELEASE LINER AS TAPE IS PRESSED INTO PLACE.
 4. FOAM SEAL SHOULD NOT EXTEND OFF OF THE EDGE OF BLACK MYLAR



DETAIL A
SCALE 0.750



DETAIL B
SCALE 0.750



SCALE 1.000

DIMENSIONS ARE IN MILLIMETERS

elo

MS602864

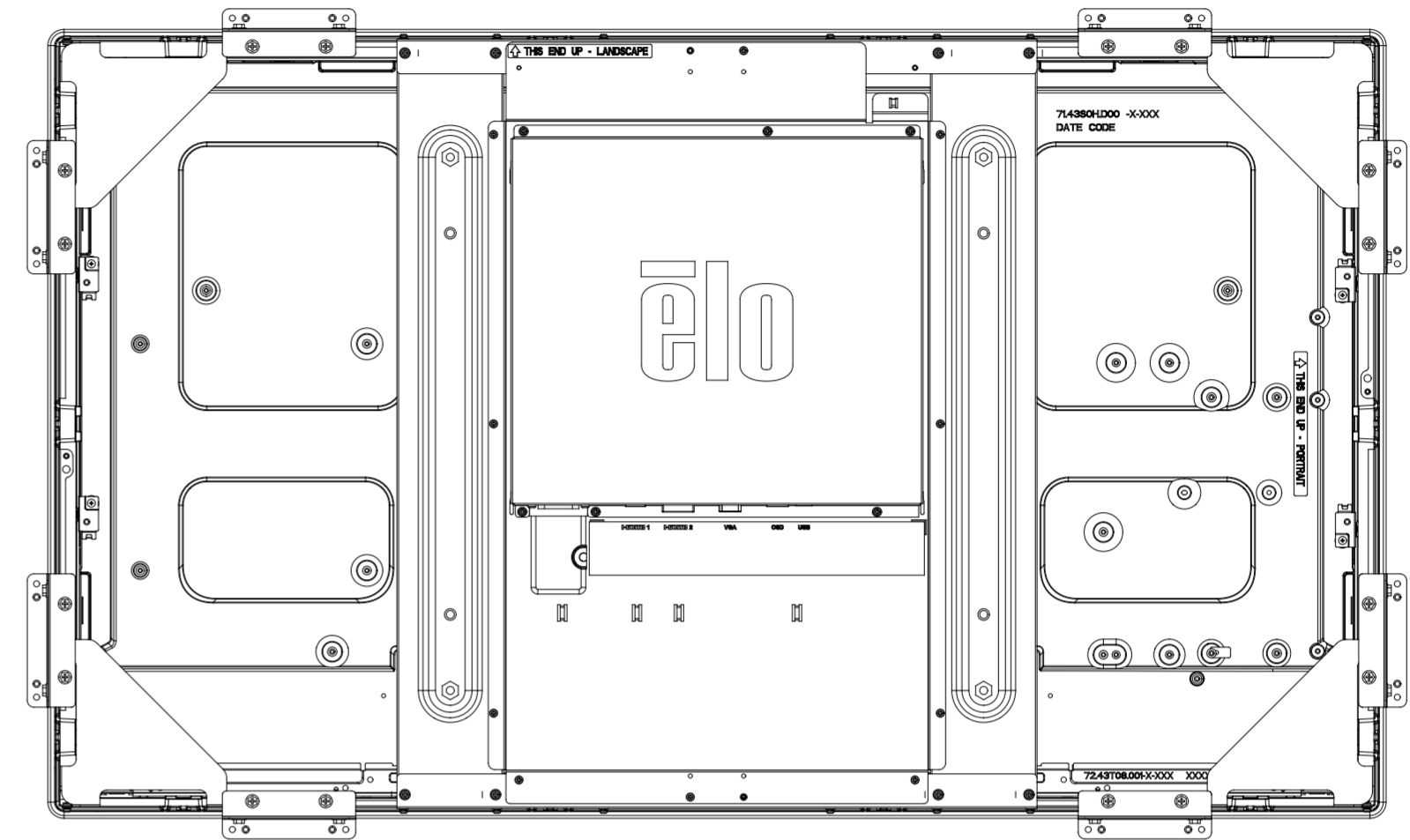
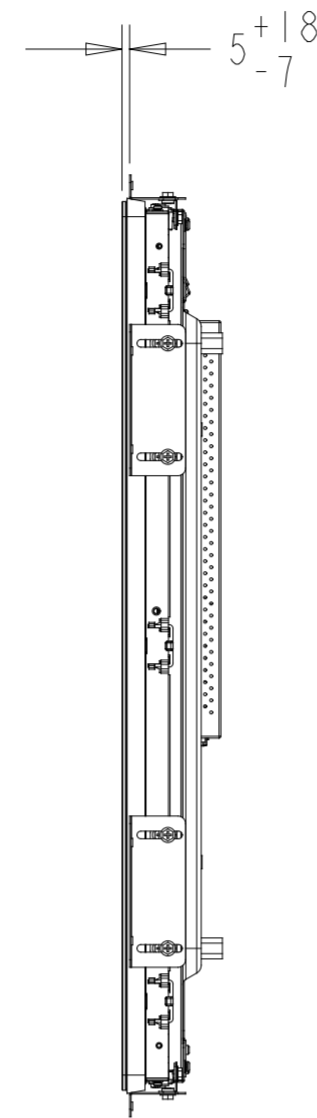
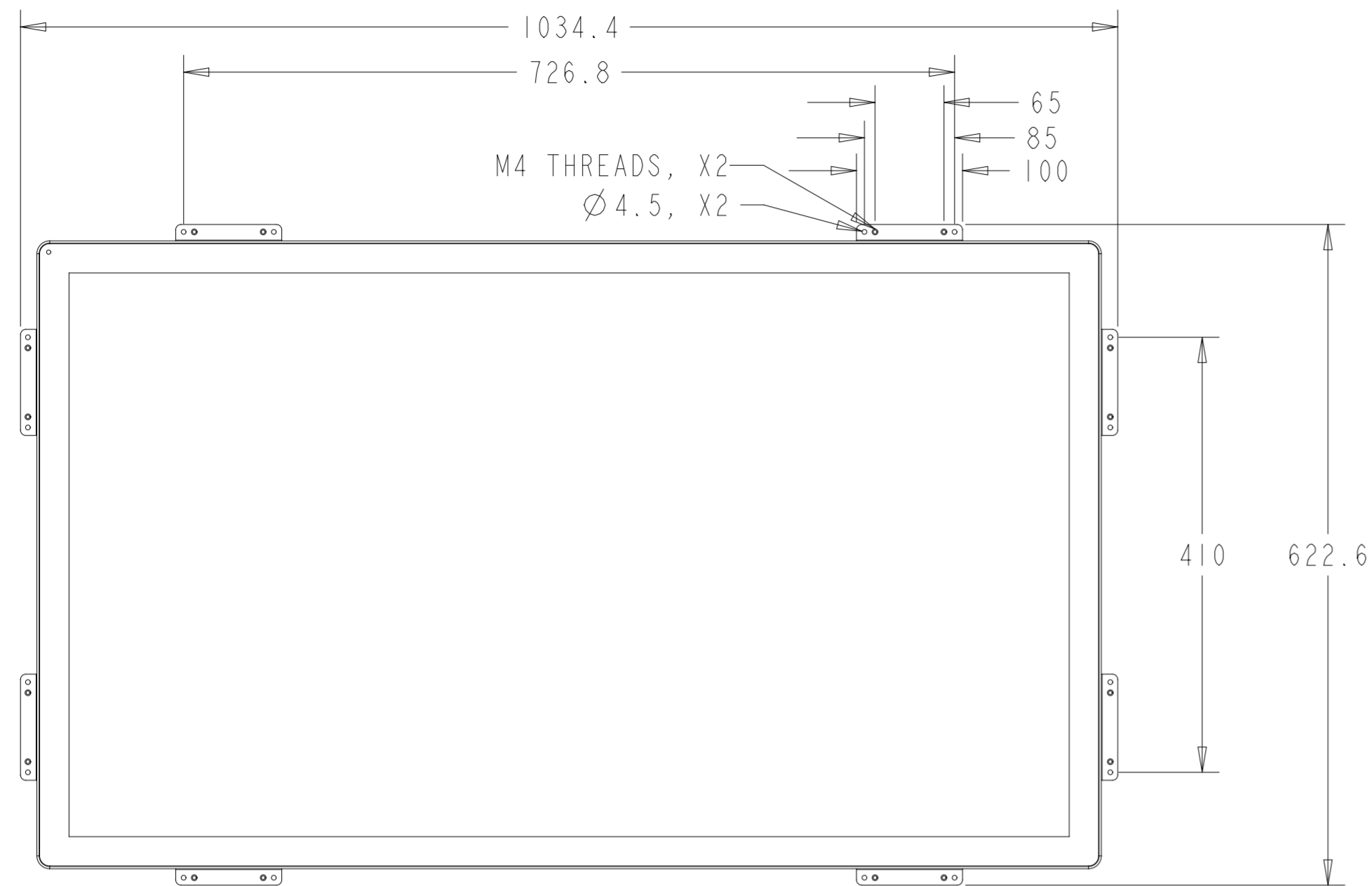
DATE: 07/07/2021

REV: A

DIMENSIONAL DRAWING: 4363L

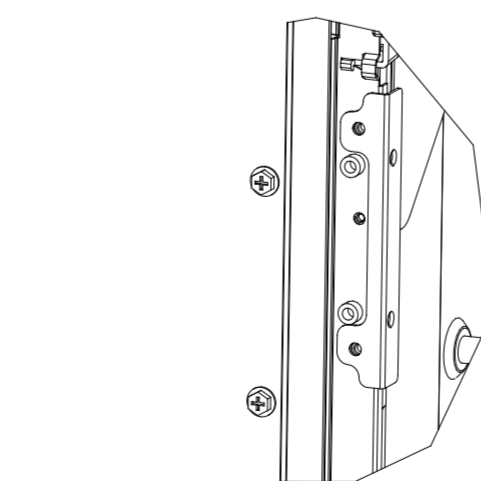
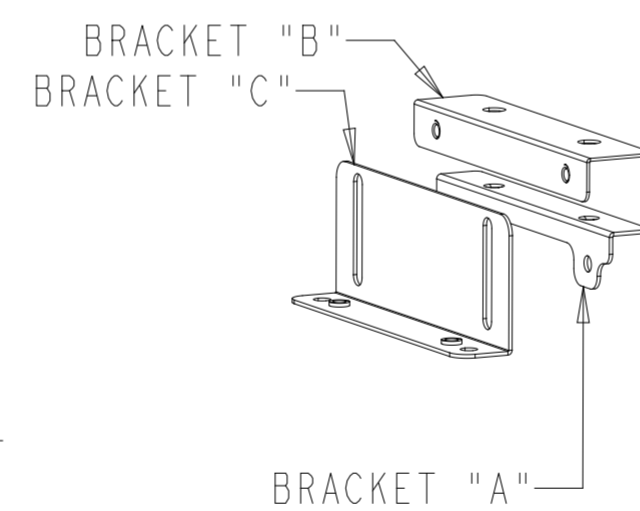
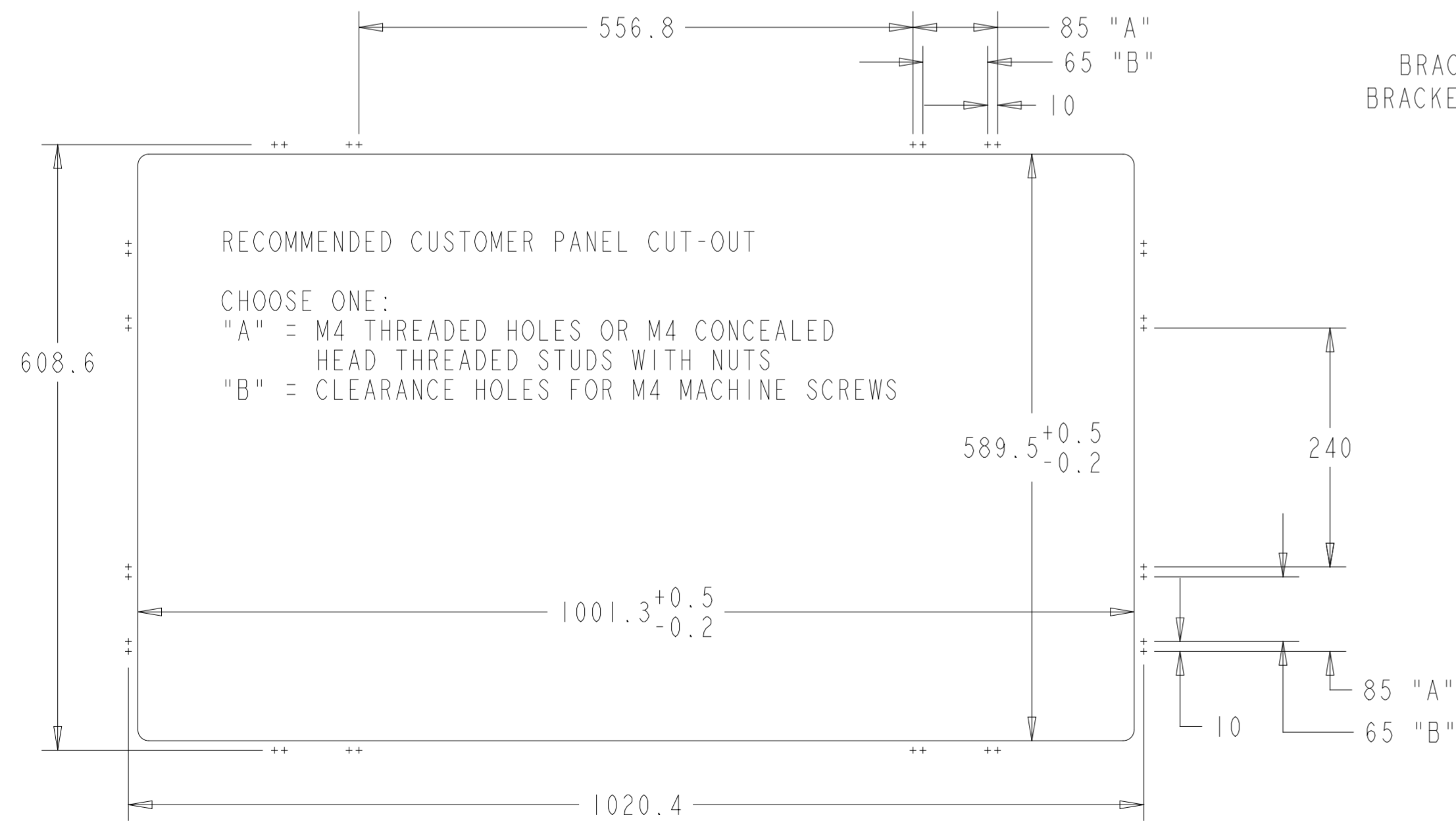
FLUSH MOUNTING KIT
INCLUDED WITH 4363L, CUSTOMER ASSEMBLED

REPLACEMENT BRACKET AND SEALING FOAM KIT P/N E848336 AVAILABLE SEPARATELY

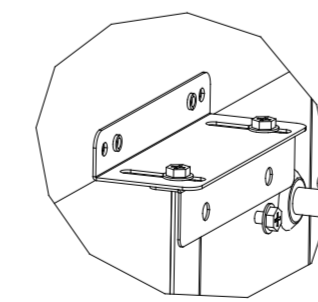


INSTALLATION NOTES:

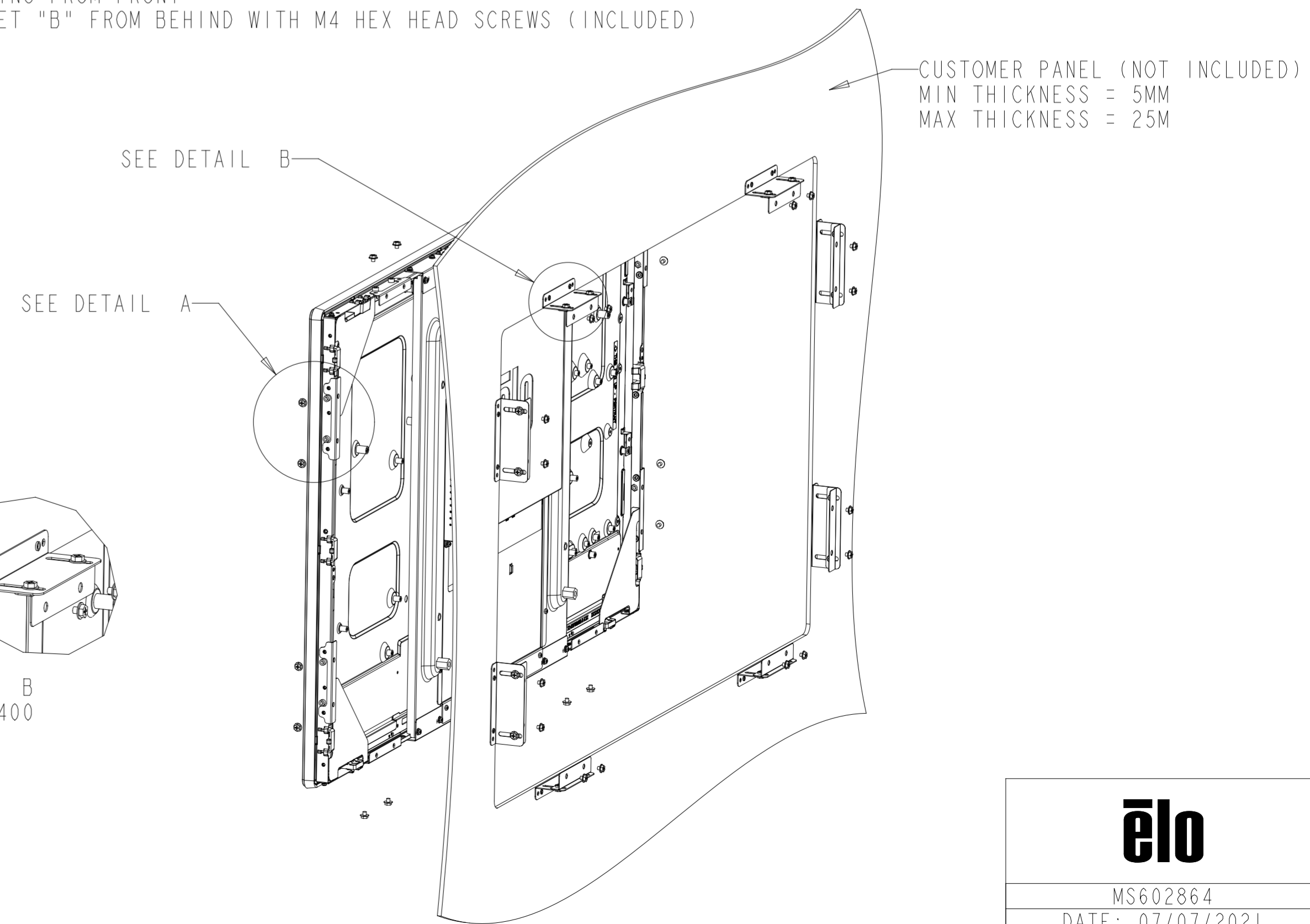
1. INSTALL SEALING FOAM AROUND EDGE OF TOUCH DISPLAY PER INSTRUCTIONS ON PAGE 1.
2. ATTACH BRACKET "A" TO TOUCHMONITOR, 8 PIECES
3. ATTACH BRACKET "C" TO CUSTOMER PANEL PER CUT-OUT DRAWING, 8 PIECES
4. ATTACH BRACKET "B" TO BRACKET "C" WITH INCLUDED M4 HEX HEAD SCREWS, 8 PIECES
5. ADJUST DEPTH OF BRACKET "B" SO TOUCHMONITOR WILL BE FLUSH WITH CUSTOMER PANEL
6. PLACE TOUCHMONITOR INTO OPENING FROM FRONT
7. SECURE TOUCHMONITOR TO BRACKET "B" FROM BEHIND WITH M4 HEX HEAD SCREWS (INCLUDED)



DETAIL A
SCALE 0.400



DETAIL B
SCALE 0.400



DIMENSIONS ARE IN MILLIMETERS

elo

MS602864

DATE: 07/07/2021

REV: A