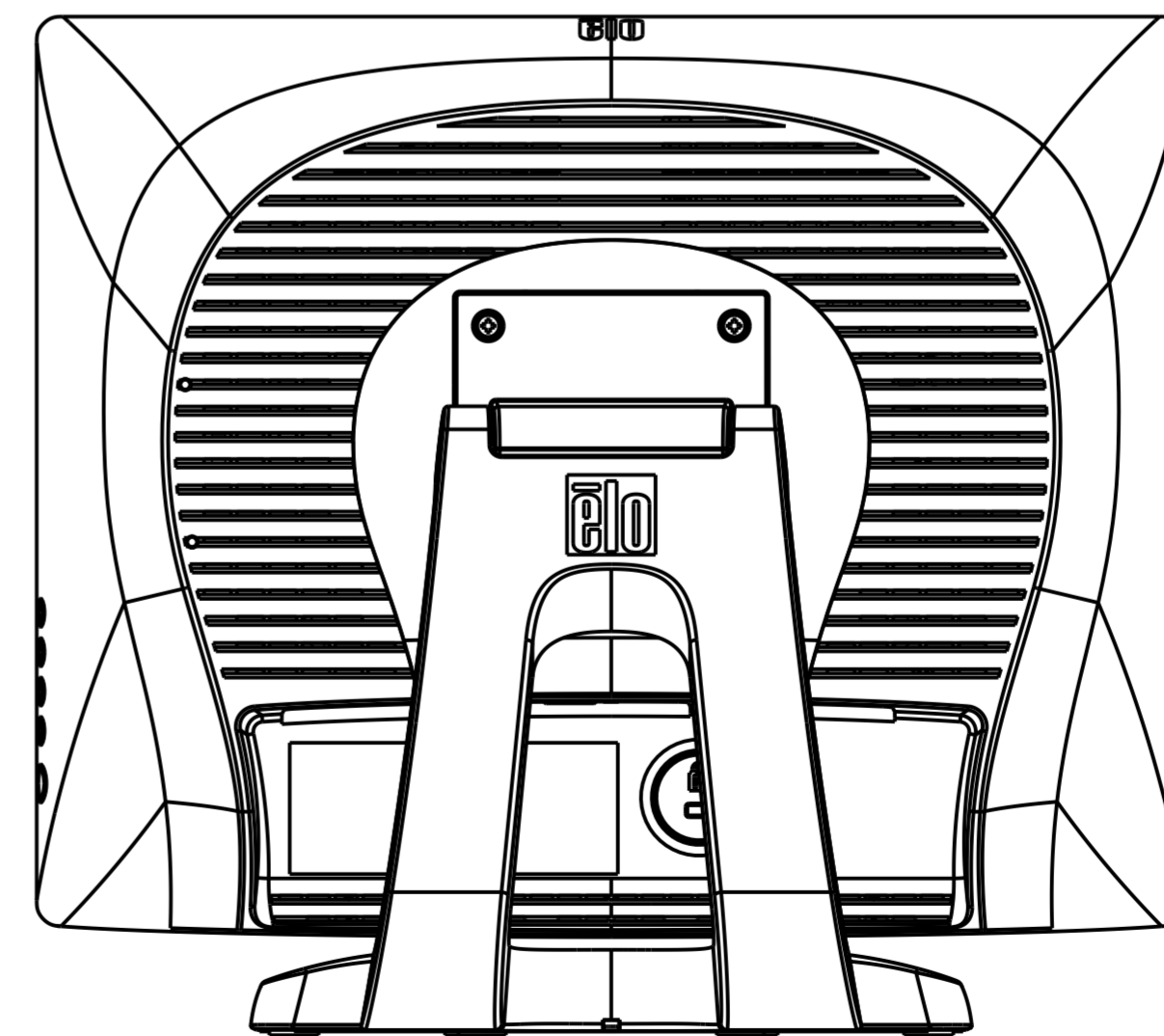
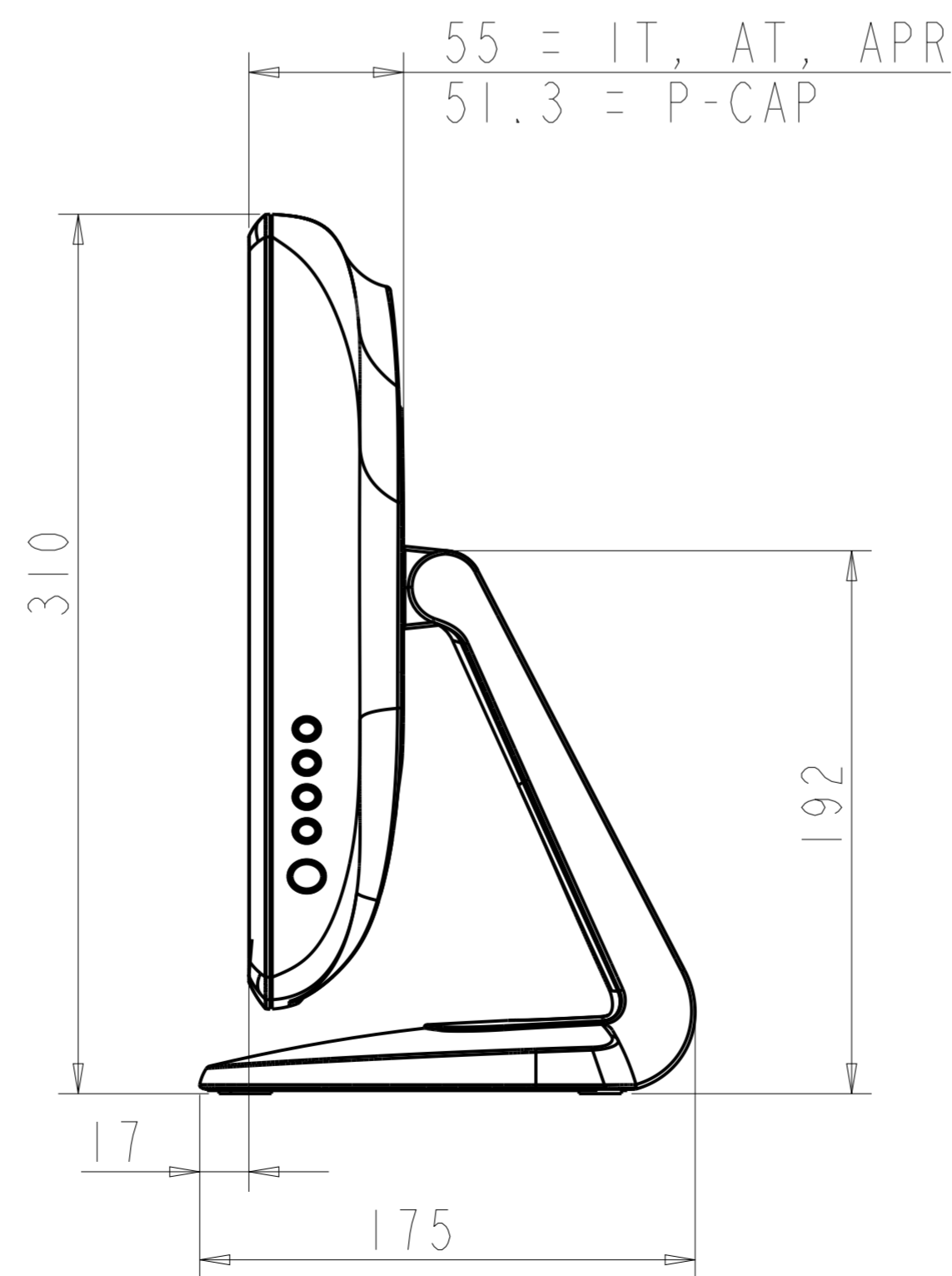
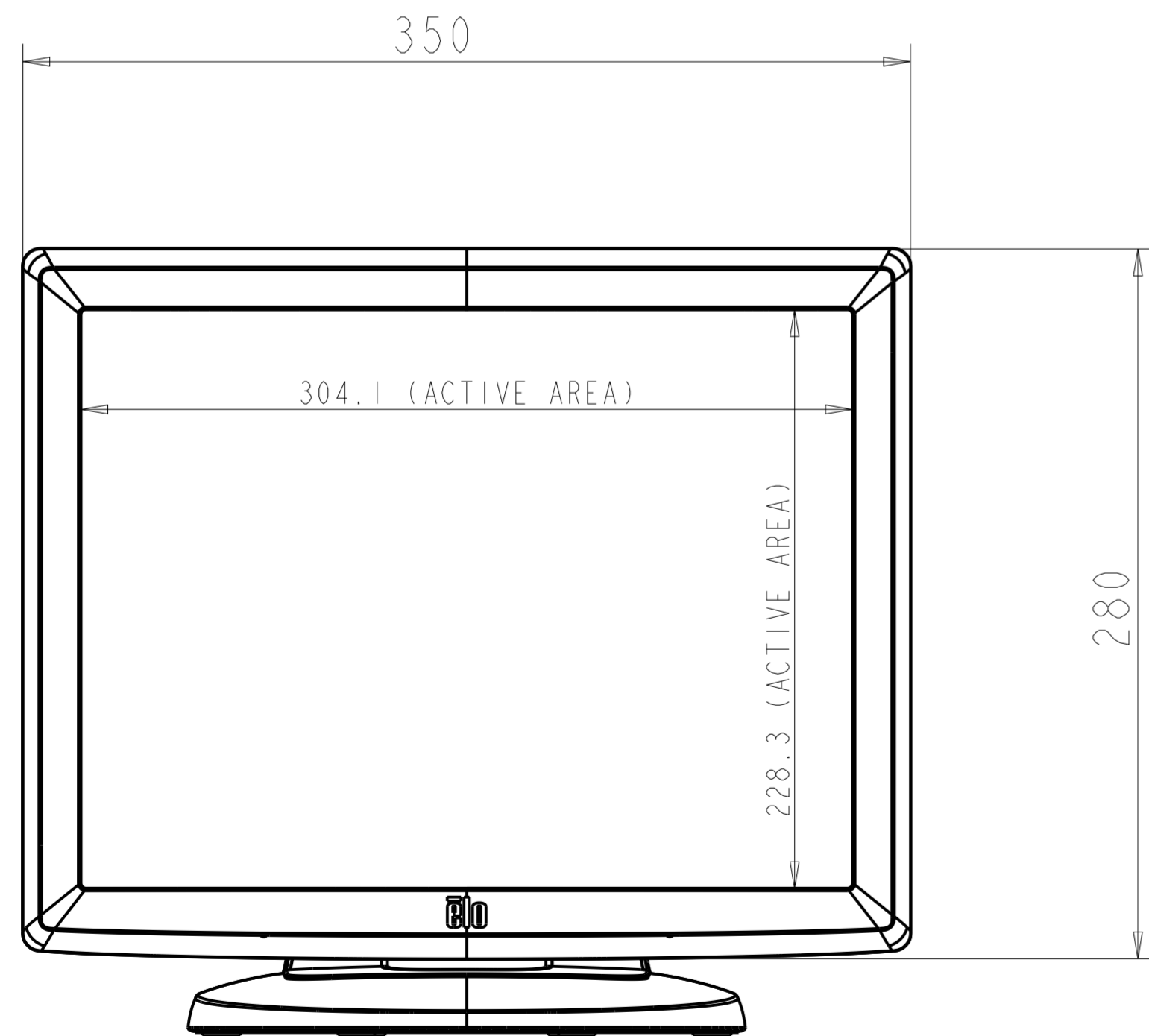
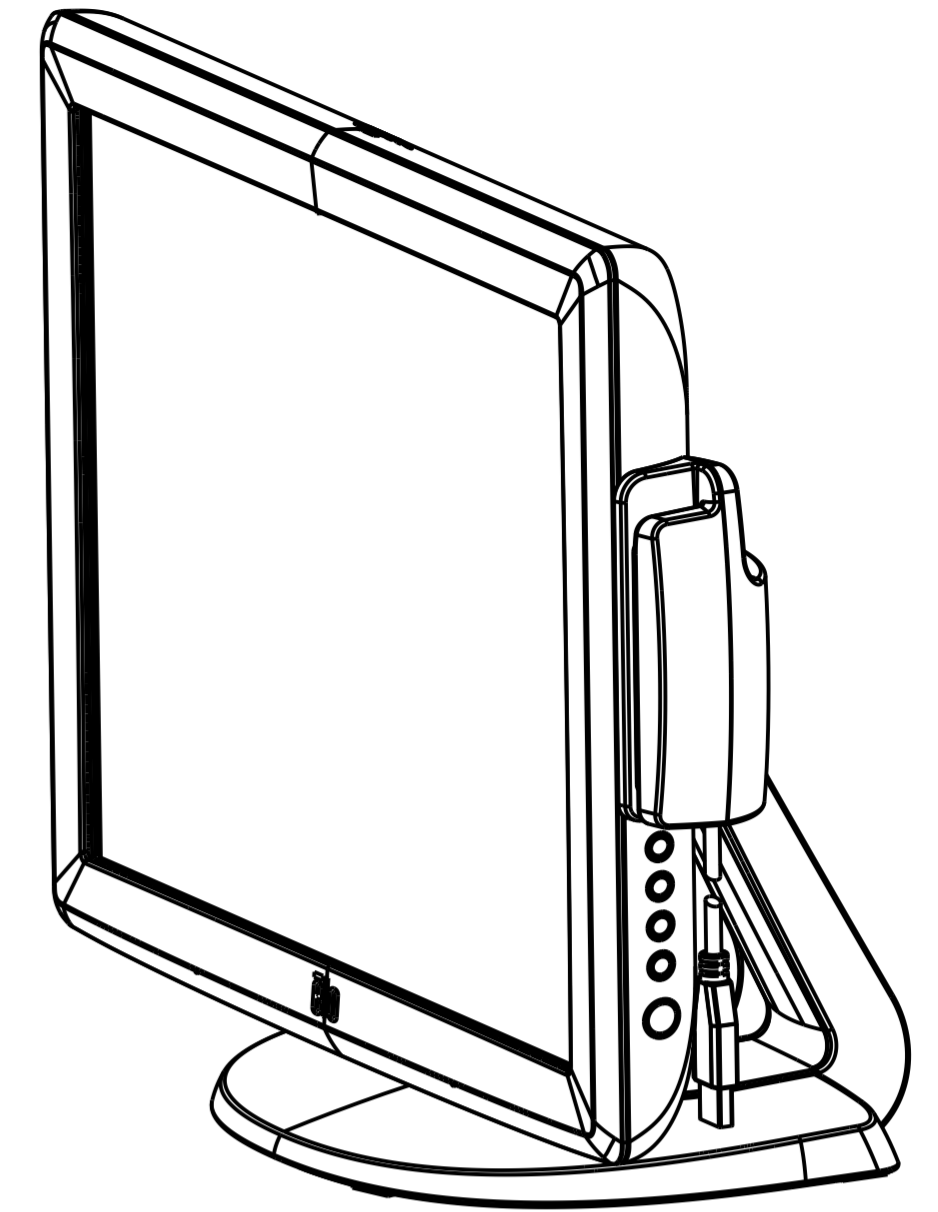
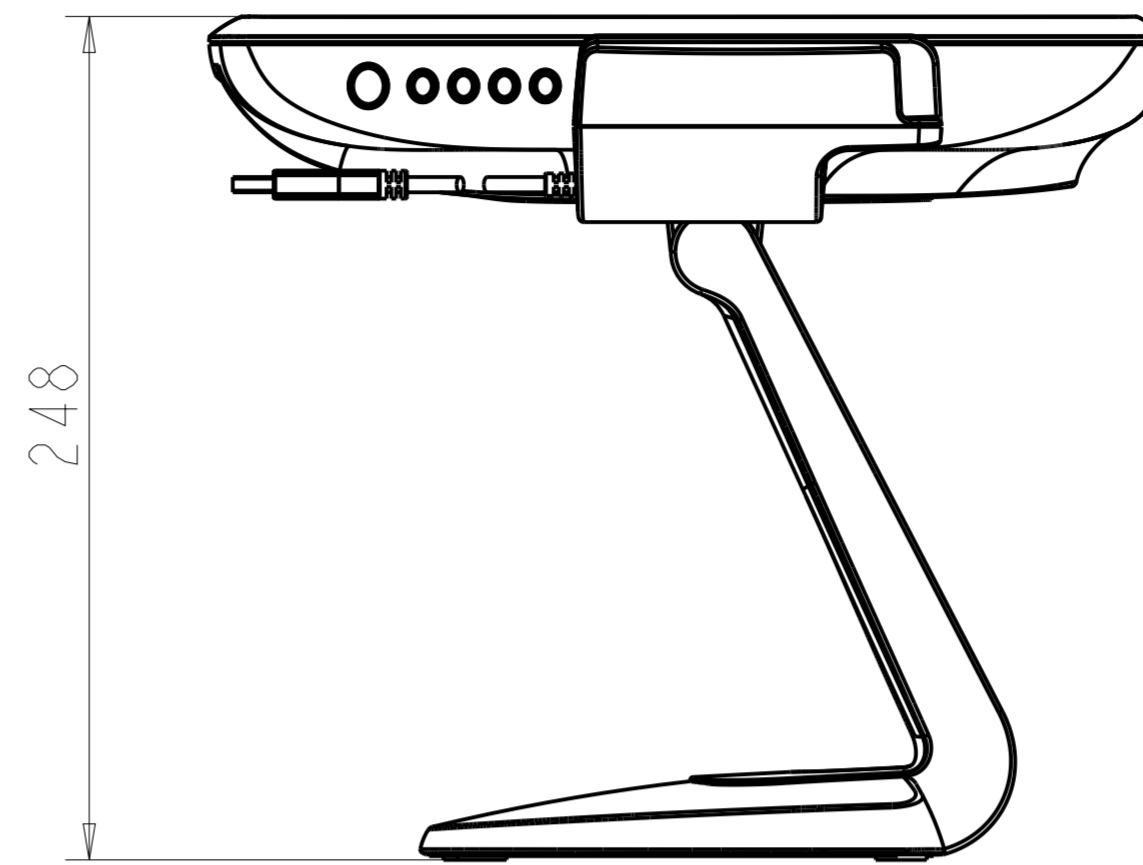
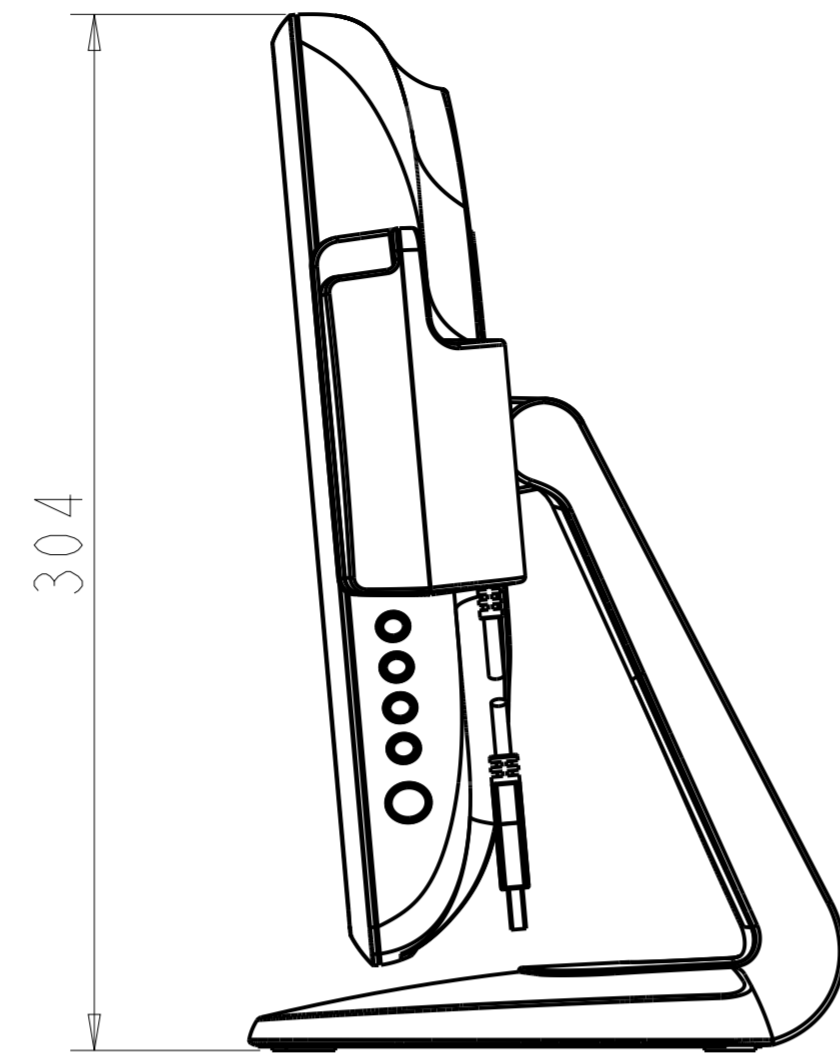
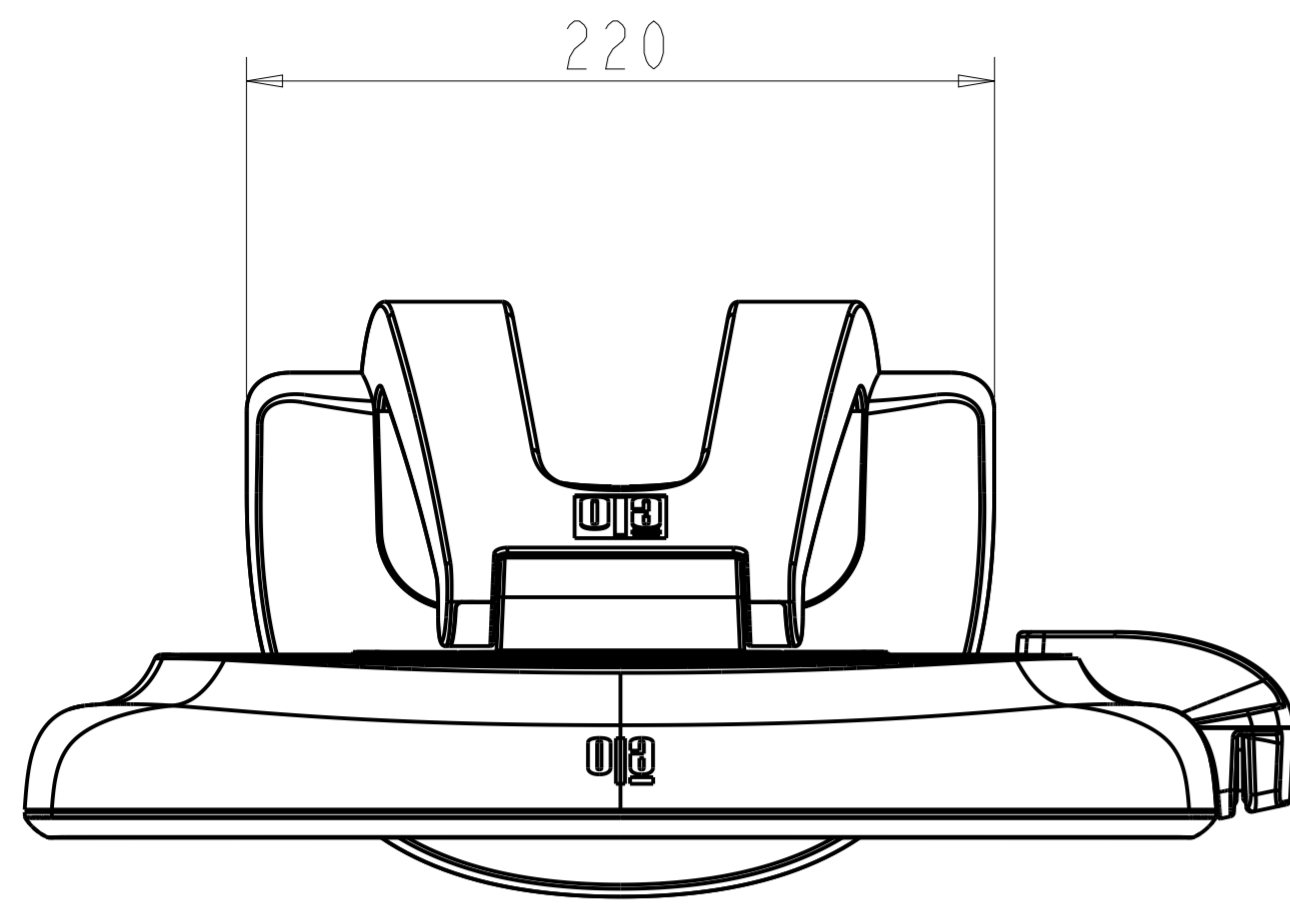


TILT -5° FROM VERTICAL

TILT 90° VERTICAL



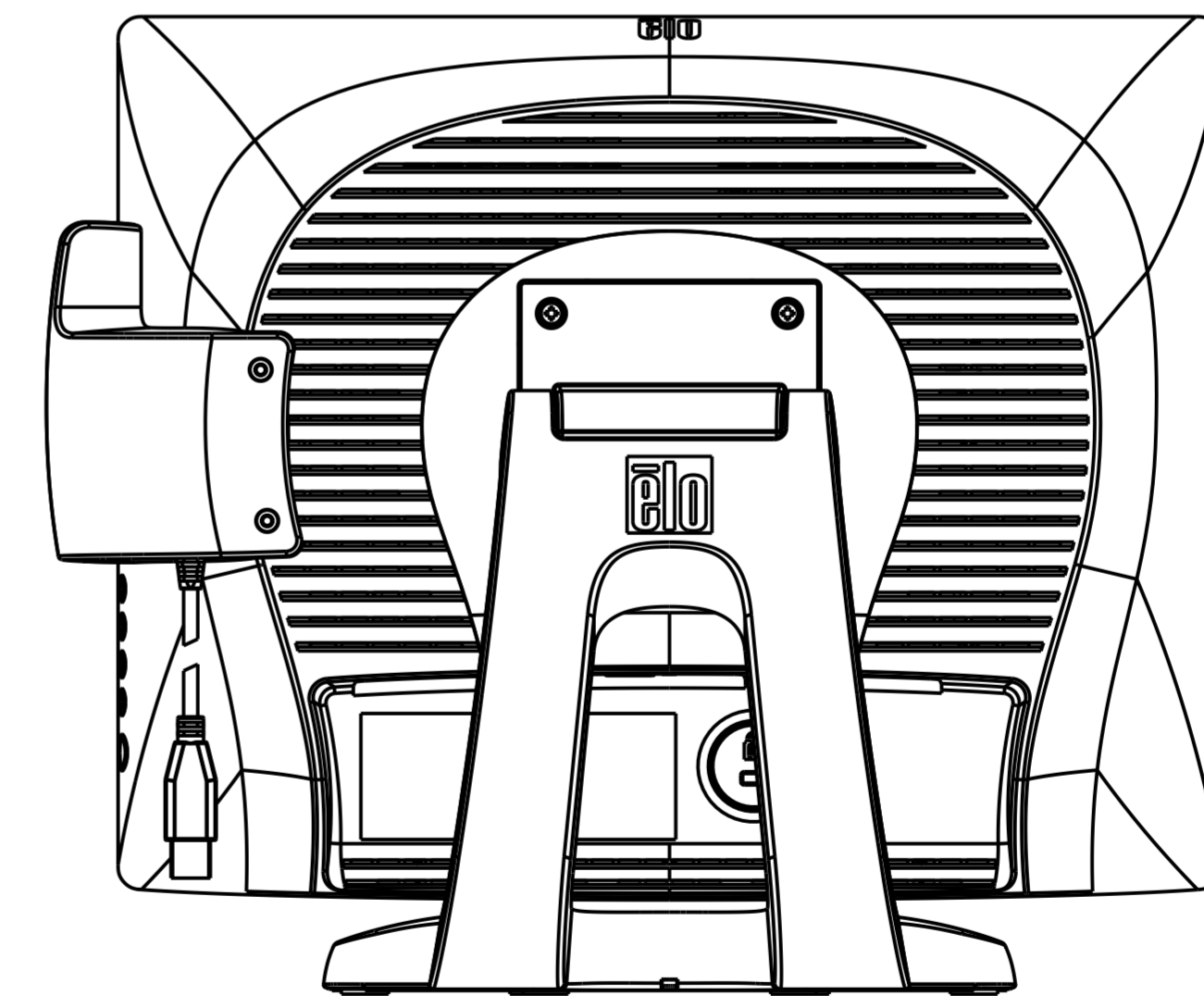
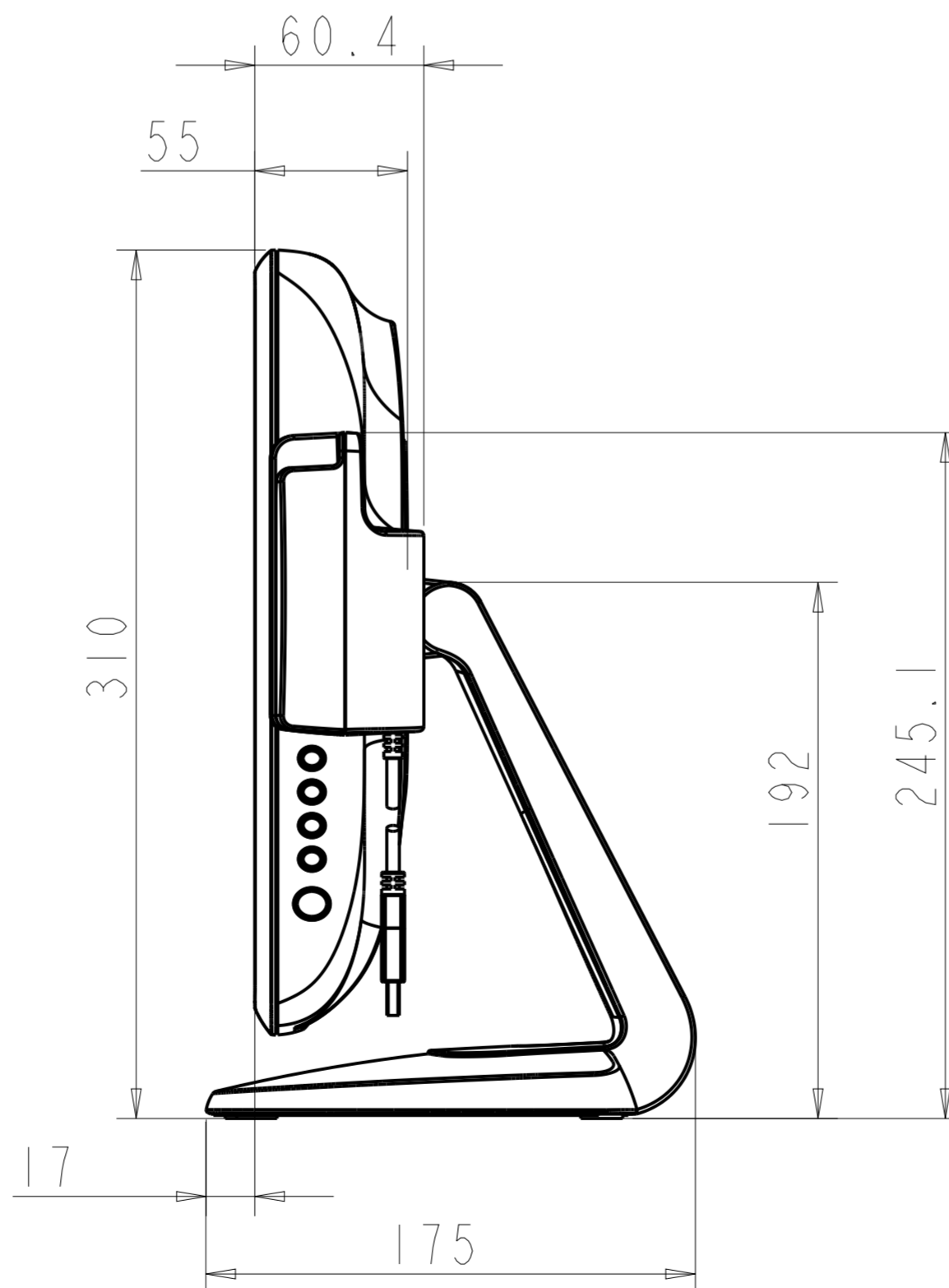
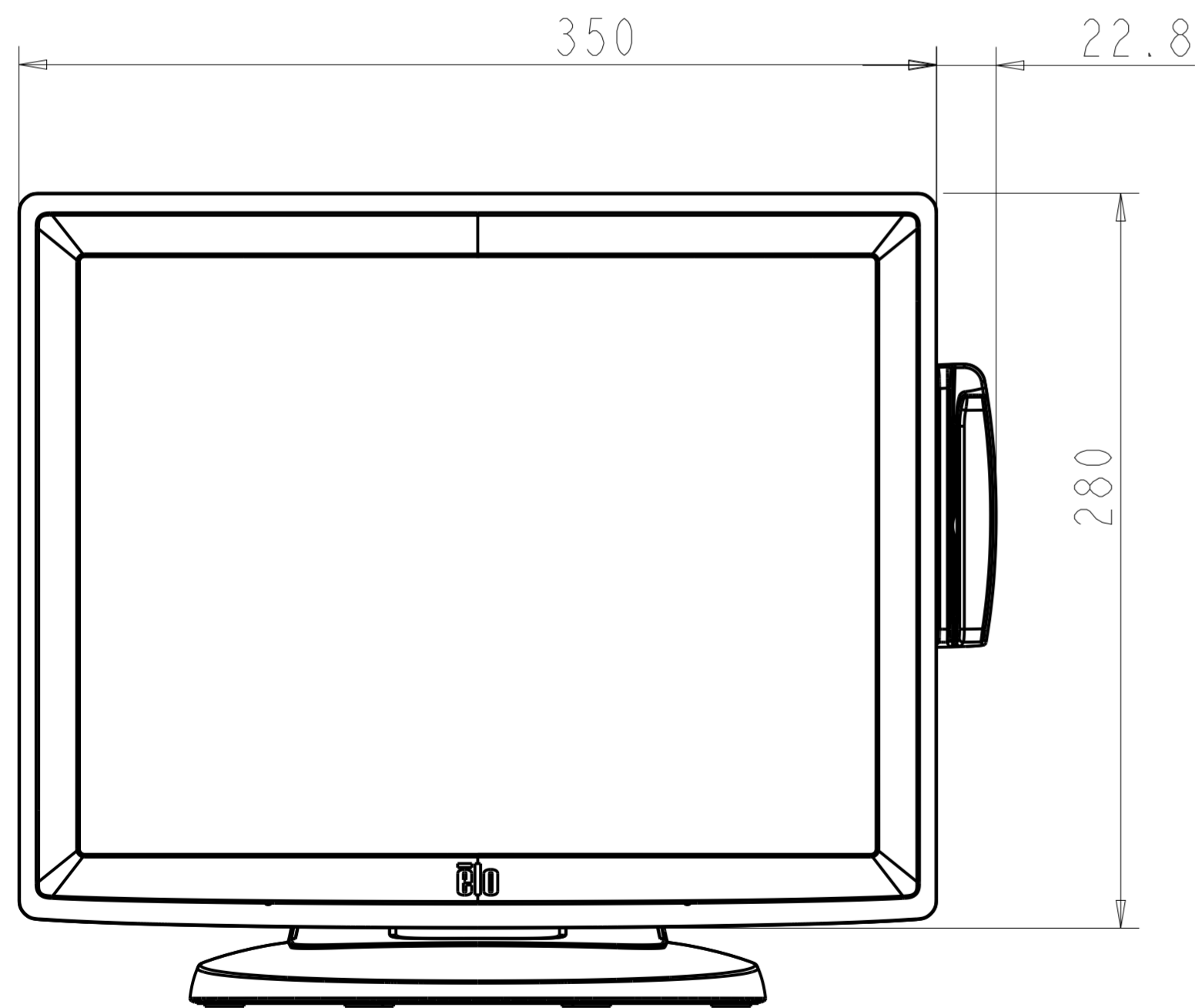
OPTIONAL MSR

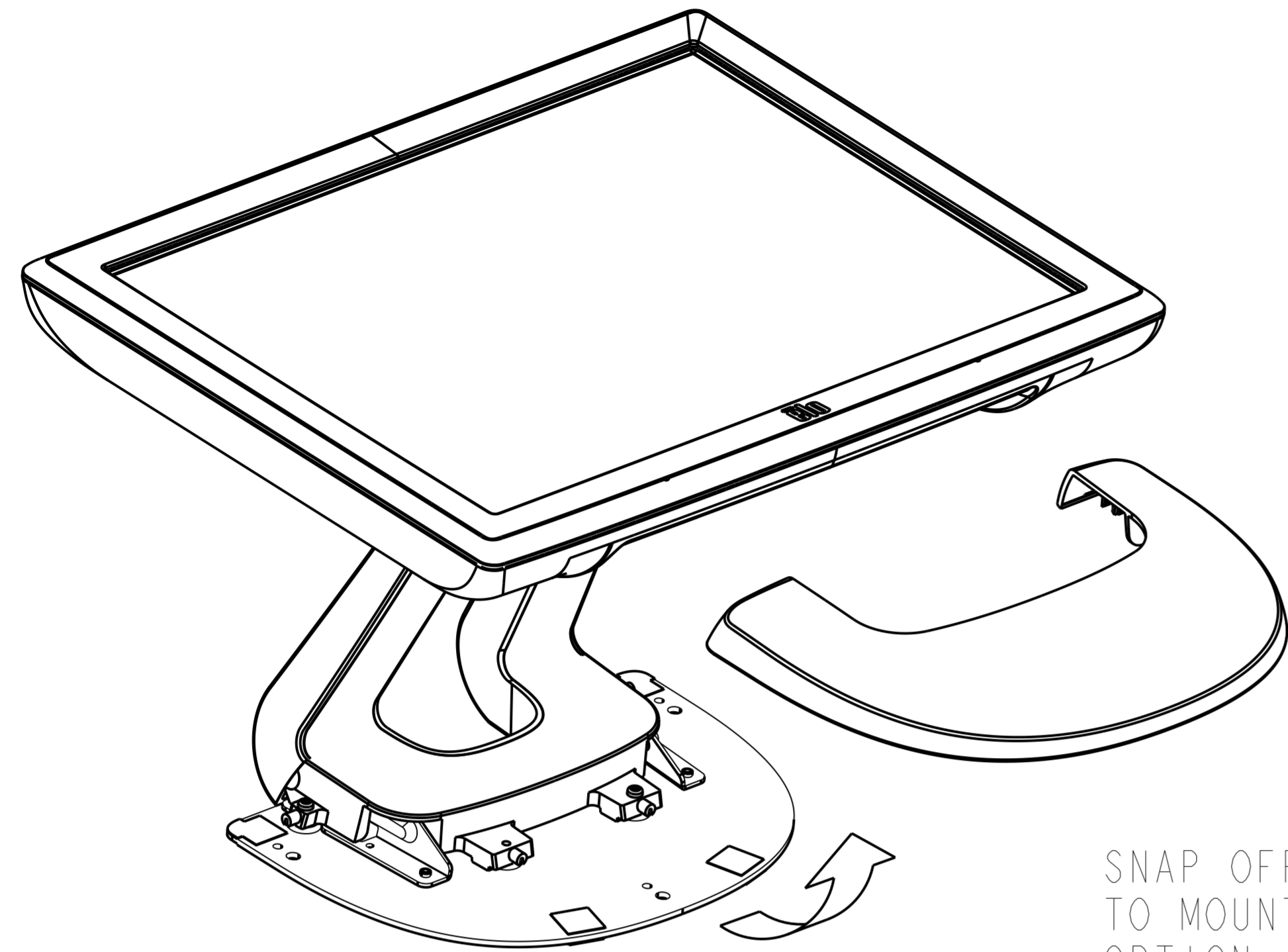


SCALE 0.450

TILT -5° FROM VERTICAL

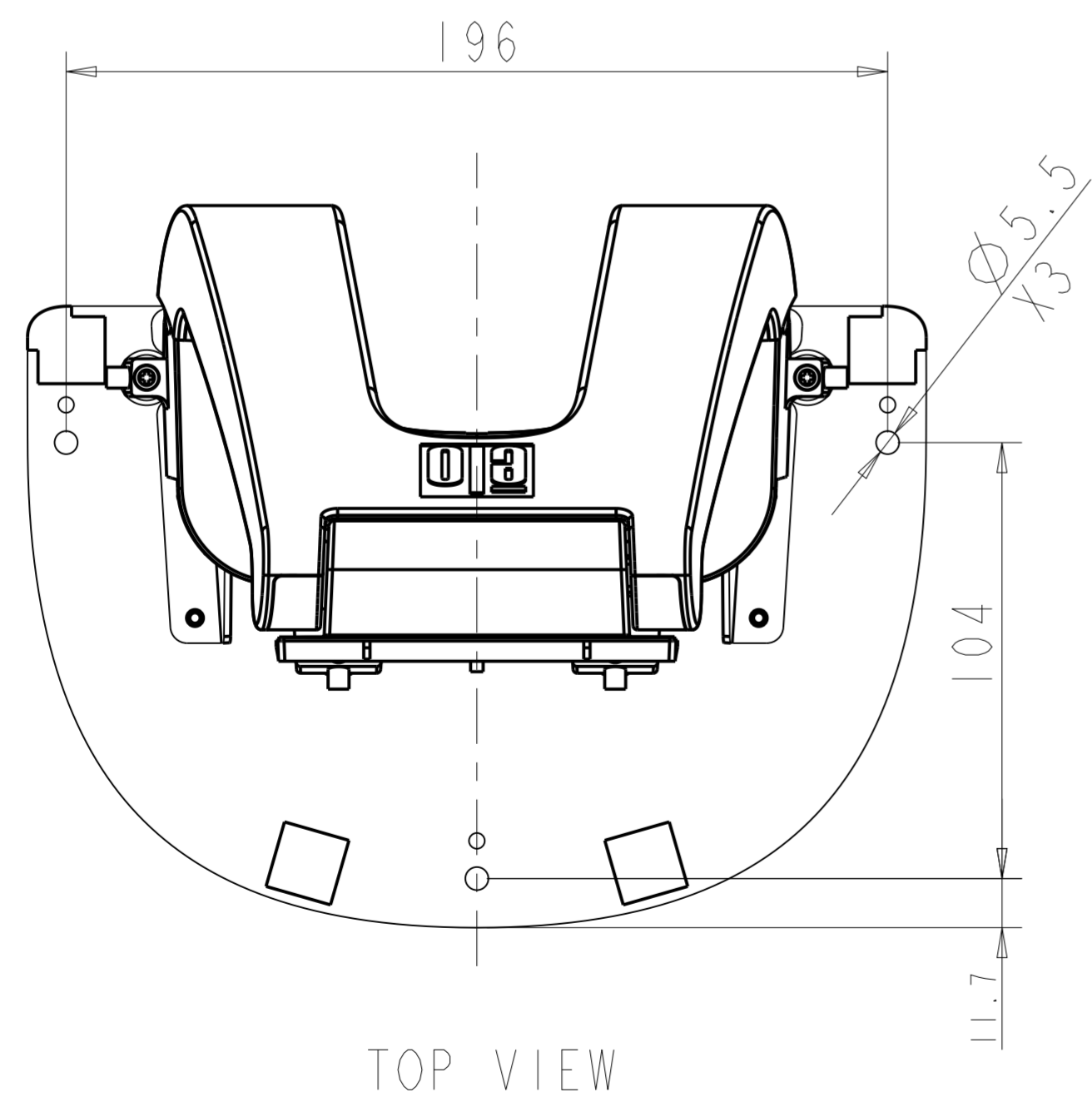
TILT 90° FROM VERTICAL





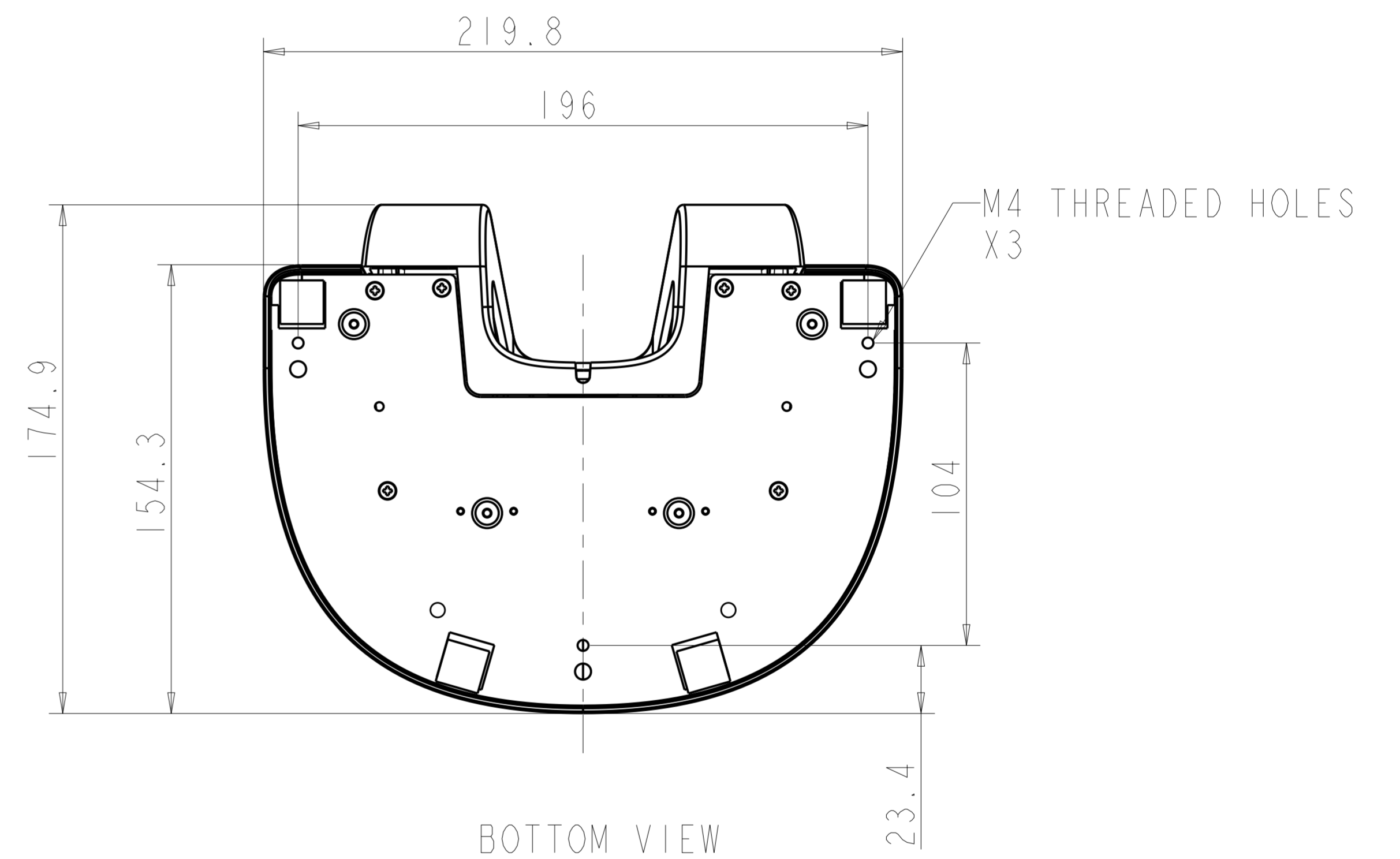
SNAP OFF STAND COVER
TO MOUNT STAND WITH
OPTION 1.

MOUNT OPTION 1



TOP VIEW

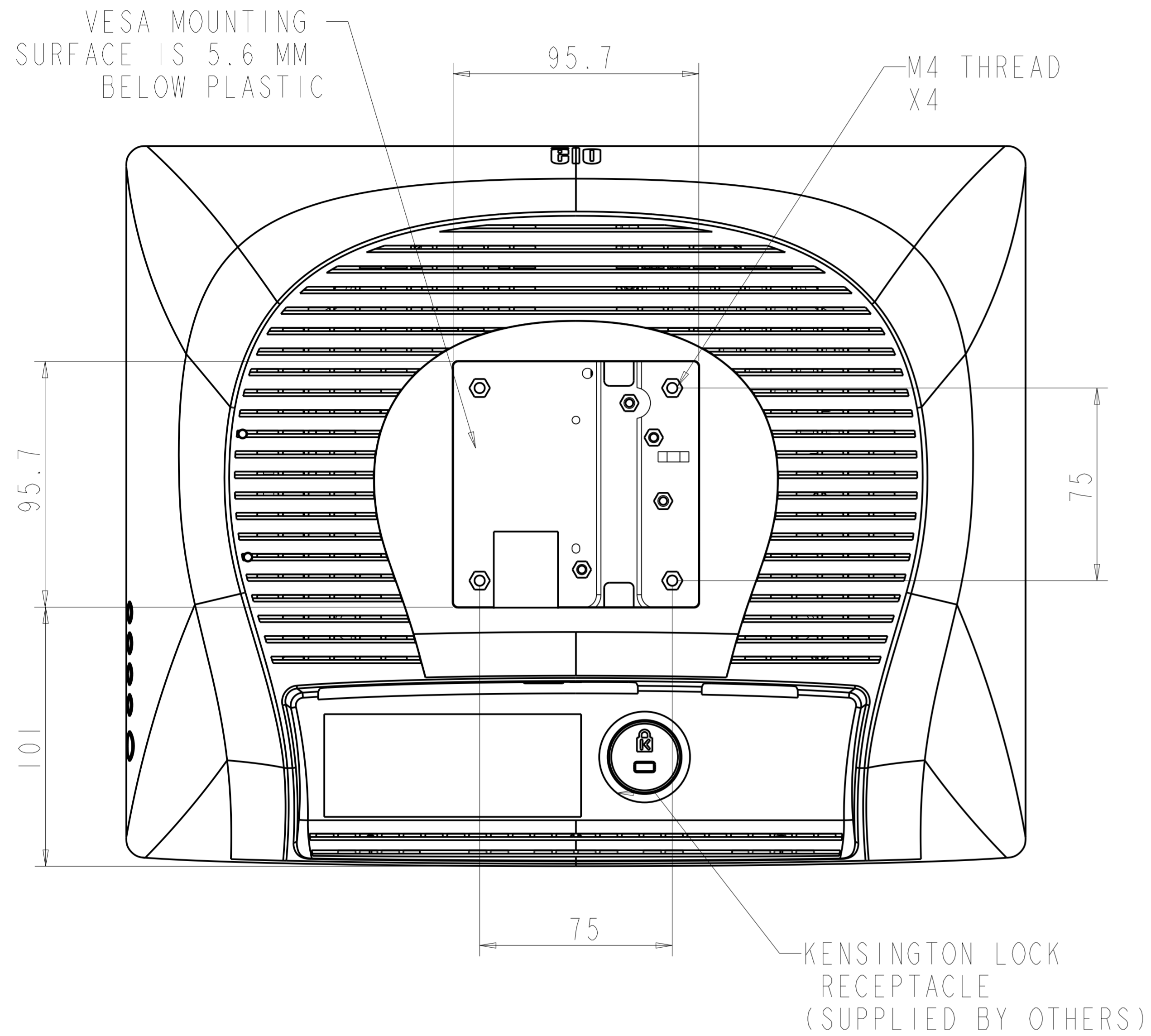
MOUNT OPTION 2



BOTTOM VIEW

M4 THREADED HOLES
X3

VESA MOUNT



CONNECTOR PANEL

